



DEXERA



INSTALLATION INSTRUCTION

INSTALLATION INSTRUCTION

Notice:

Before installation, please read this installation instruction carefully.

The Installation Protection:

The operators need to have the awareness of safety. they must be use the safe and qualified tools and wear corresponding protective tools, such as gloves and dust-proof surfaces.

The Installing Foundation:

The ground should be firm, clean, flat, and it must have the drainage. Drainage measures are required and determined according to the local rainfall: 1. Reserve drainage grooves, 2. Reserve drainage wells, 3. Foundation has slope (parallel to the joist direction), etc. ensuring smooth drainage, and the height of the accumulated water from the bottom of the deck shall not be less than 80 mm. Avoid the protective layer is cracking due to long-term water absorption and expansion.

Attention:

The installation diagrams and instructions which are mentioned in this document are for reference only. And any products of our company must be complied with relevant local laws and building regulations. The users need to bear the related risks and responsibilities.

Installation Tools:

The standard carpentry tools, such as electric saws (desktop and portable), impact drills, hand drills, etc., strongly advise to use diamond saw blades.

Product Application:

The products of our company can not be bearing structure alone. It must be combined with some available bearing structure materials, such as steel, aluminium etc.

Environmental adaptation:

All the boards need to be stored in the local place for 48 hours before installation to stabilize the thermal expansion for avoiding the paving accuracy caused by the large temperature difference between the two places.

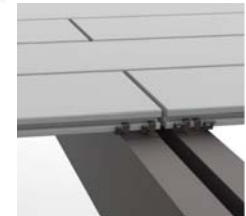
INSTALLATION INSTRUCTION

The max size of joist spacing:

Section size	Private project	Public Project
Hollow 0.91 x 5.43 inch	≤ 11.81 inch	≤ 11.02 inch
Solild 0.91 x 5.43 inch	≤ 13.78 inch	≤ 11.81 inch

Notice:

Double joists must be used at the joint of two ends of deck, and the distance between the joist should not be less than 20 mm (avoid water accumulation here).



About Expansion Joints:

When installing composite deck, it is necessary to consider that the temperature will have the effect of thermal expansion and contraction on the boards. It is necessary to allow to have a corresponding free expansion and contraction space to avoid deformation and warping of the boards. The size of the reserved expansion joint is related to the length of the deck installation and the local board surface temperature during installation.

The surface temperature of composite board and the thermal linear expansion coefficient of boards are for the guiding parameters of the length of the seam (inch) table:

INSTALLATION INSTRUCTION

The Table of Expansion Joints

The temperature of the surface of the profile during installation / °C (if the ambient temperature is used, ensure that the temperature of the board is - 10-60 °C)

Board Length	-20 °C	-15 °C	-10 °C	-5 °C	0 °C	5 °C	10 °C	15 °C	20 °C	25 °C	30 °C	35 °C	40 °C	45 °C	50 °C	55 °C	60 °C
<i>foot</i>	<i>inch</i>	<i>inch</i>	<i>inch</i>	<i>inch</i>	<i>inch</i>	<i>inch</i>	<i>inch</i>	<i>inch</i>	<i>inch</i>	<i>inch</i>	<i>inch</i>	<i>inch</i>	<i>inch</i>	<i>inch</i>	<i>inch</i>	<i>inch</i>	<i>inch</i>
1.64	0.06	0.05	0.05	0.04	0.04	0.04	0.03	0.03	0.03	0.02	0.02	0.02	0.01	0.01	0.01	0.00	0.00
3.28	0.11	0.10	0.10	0.09	0.08	0.08	0.07	0.06	0.06	0.05	0.04	0.03	0.03	0.02	0.01	0.01	0.00
4.92	0.17	0.15	0.14	0.13	0.12	0.11	0.10	0.09	0.08	0.07	0.06	0.05	0.04	0.03	0.02	0.01	0.00
6.56	0.22	0.21	0.19	0.18	0.17	0.15	0.14	0.12	0.11	0.10	0.08	0.07	0.06	0.04	0.03	0.01	0.00
8.2	0.28	0.26	0.24	0.22	0.21	0.19	0.17	0.15	0.14	0.12	0.10	0.09	0.07	0.05	0.03	0.02	0.00
9.84	0.33	0.31	0.29	0.27	0.25	0.23	0.21	0.19	0.17	0.14	0.12	0.10	0.08	0.06	0.04	0.02	0.00
11.48	0.39	0.36	0.34	0.31	0.29	0.27	0.24	0.22	0.19	0.17	0.14	0.12	0.10	0.07	0.05	0.02	0.00
13.12	0.44	0.41	0.39	0.36	0.33	0.30	0.28	0.25	0.22	0.19	0.17	0.14	0.11	0.08	0.06	0.03	0.00
14.76	0.50	0.46	0.43	0.40	0.37	0.34	0.31	0.28	0.25	0.22	0.19	0.15	0.12	0.09	0.06	0.03	0.00
16.4	0.55	0.52	0.48	0.45	0.41	0.38	0.34	0.31	0.28	0.24	0.21	0.17	0.14	0.10	0.07	0.03	0.00

Notice:

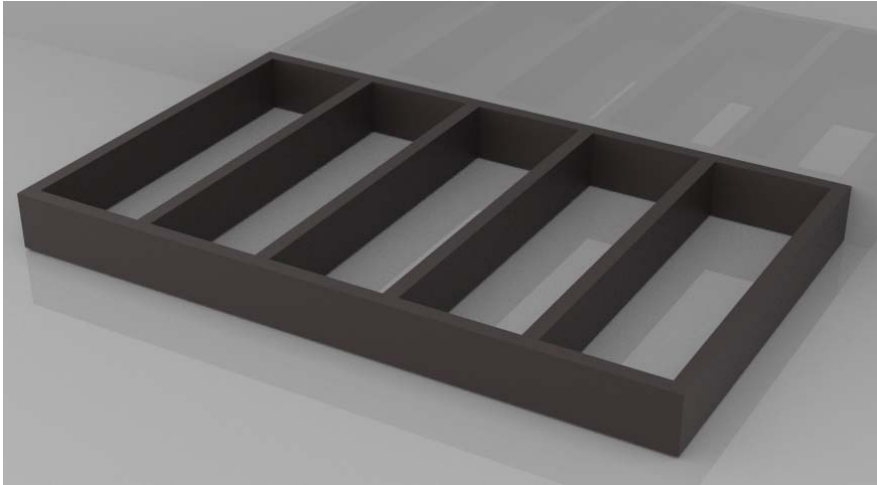
1. Due to the linear expansion coefficient of the board, it should try to avoid using screws to directly fix the board which is over 2 meters. If you use screws to fix, please be sure to pre-drill, then fixing screws.
2. A clip can only fix one piece of board on both sides, not multiple pieces.

Main Installation Tools:

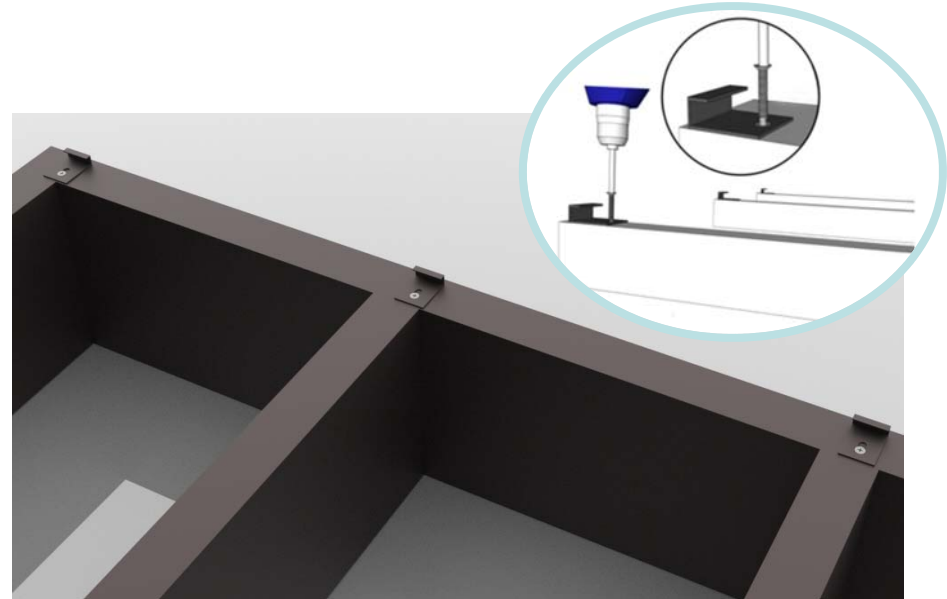


INSTALLATION INSTRUCTION

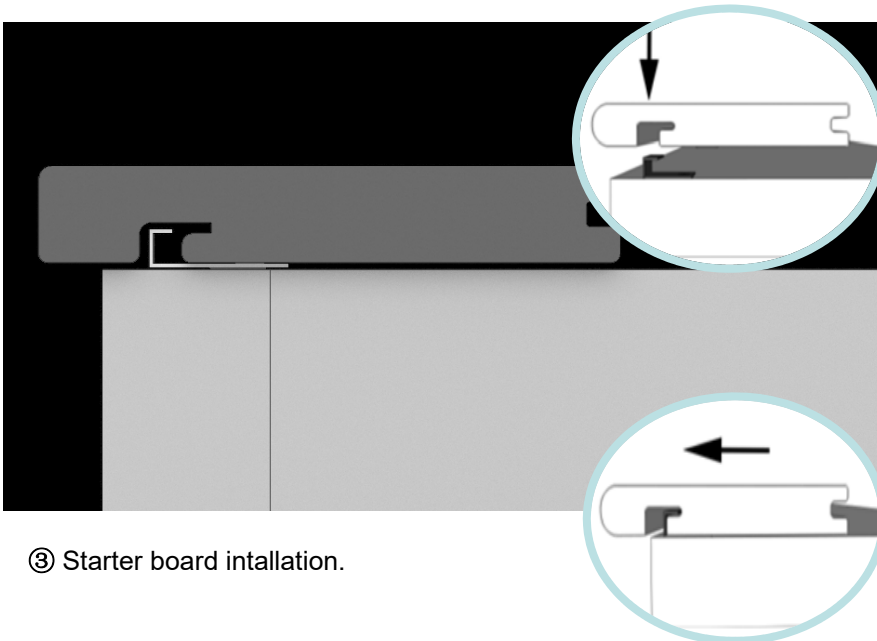
Installation Steps:



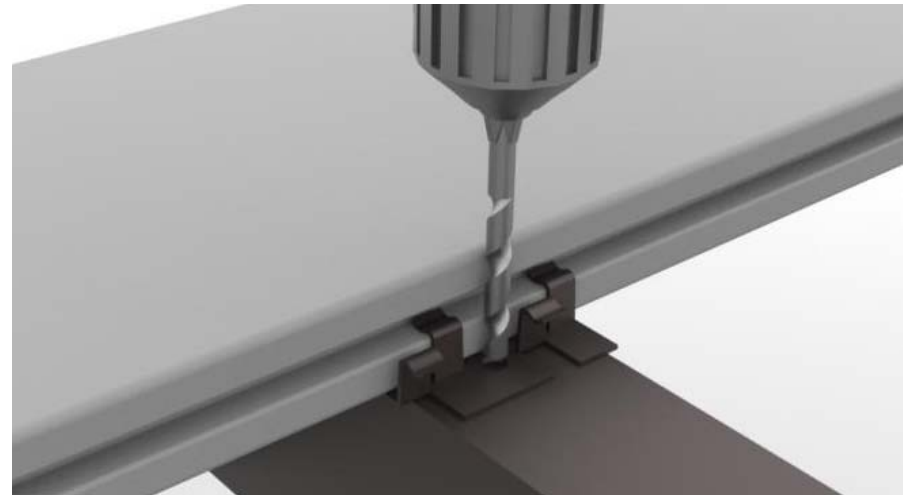
① Joist structure. Attention to the max size of joist spacing.



② Starter clips installation. Attention to keep all clips are in line.

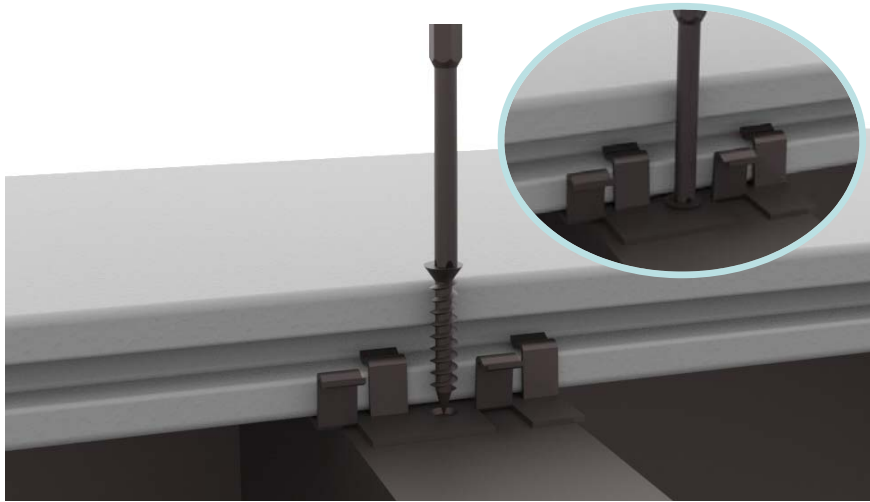


③ Starter board installation.

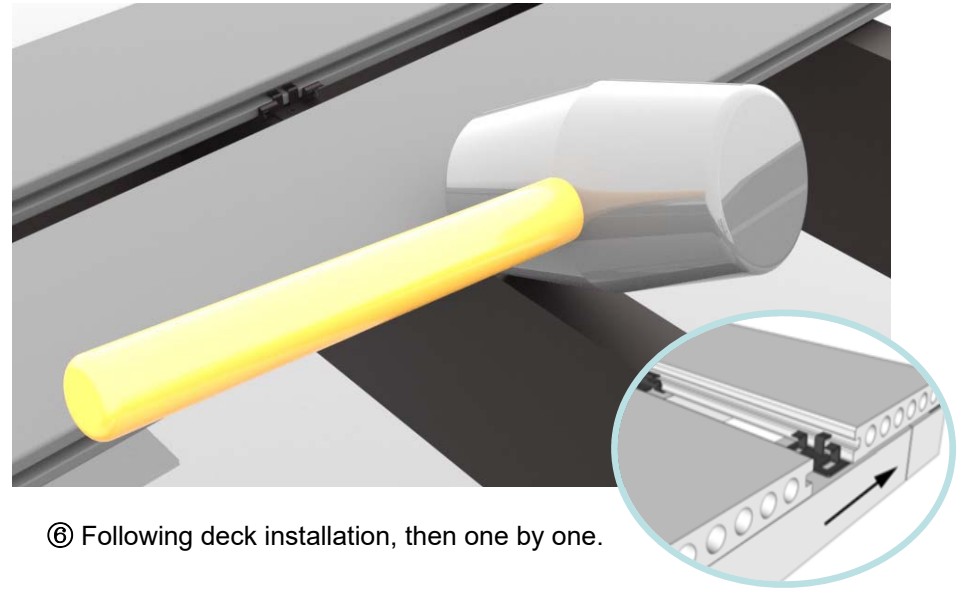


④ If the joist is metal or composite material, it should be pre-drill hole.

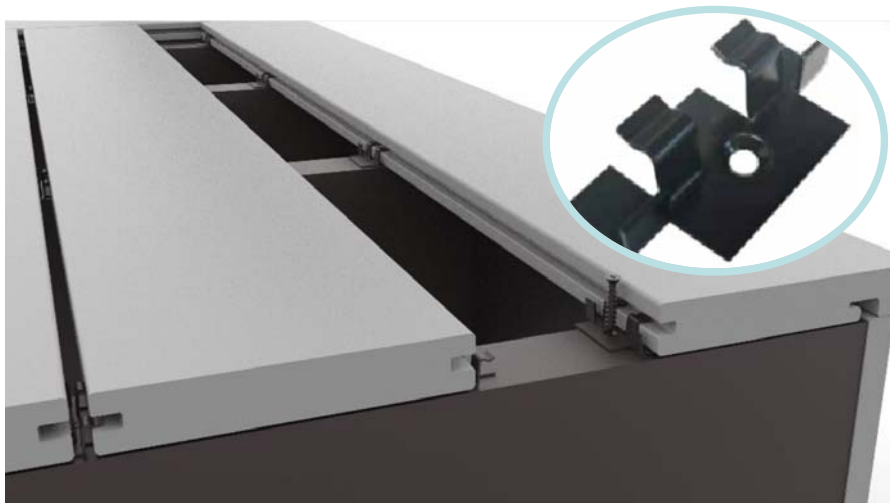
INSTALLATION INSTRUCTION



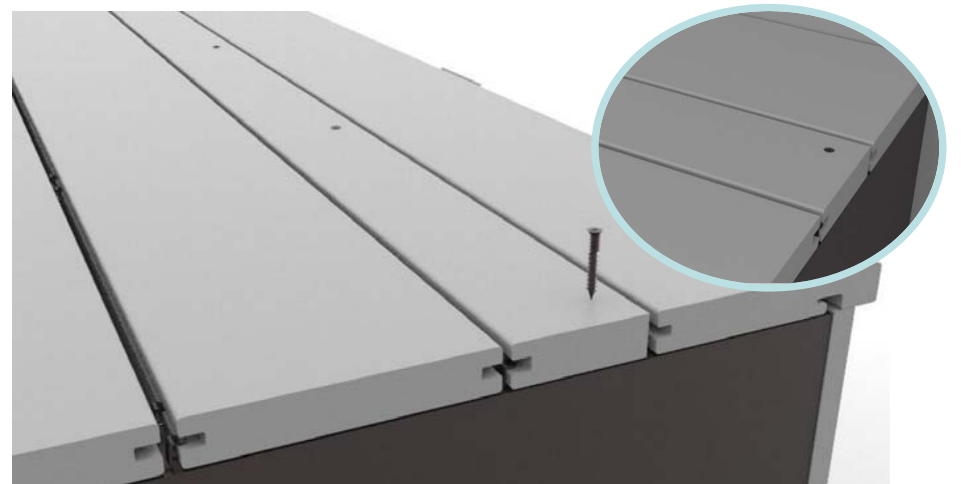
⑤ Fix screw on the deck clip.



⑥ Following deck installation, then one by one.

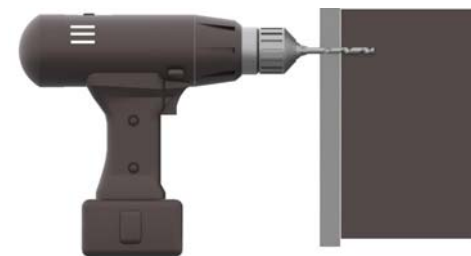


⑦ Using stater board to be as the last board, and installed, attention to another side attention to use side clips.



⑧ Cut one pc of board according to the gap, then use screw to fix.

INSTALLATION INSTRUCTION



Pre-drill hole

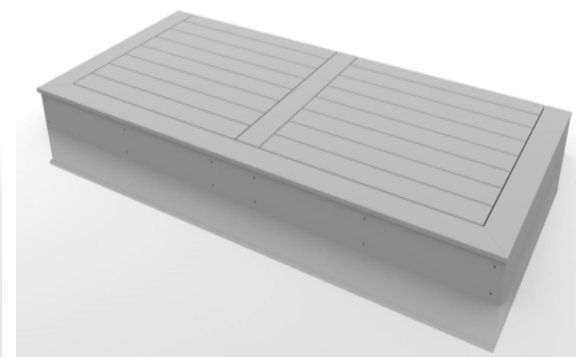
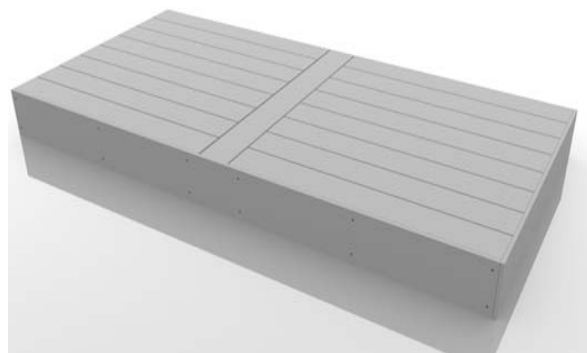
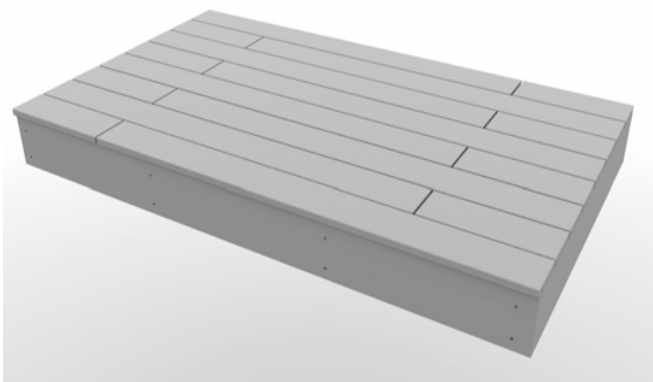


Use fascia screw to fix

⑨ Cut one pc of board according to the gap, then use screw to fix.

Notice:

According to project site situation and customers' requests, the installation design can be adjusted.





Distributed by:
Voyage Building Products Inc.

416.293.8222
info@voyageinc.ca | voyageinc.ca